

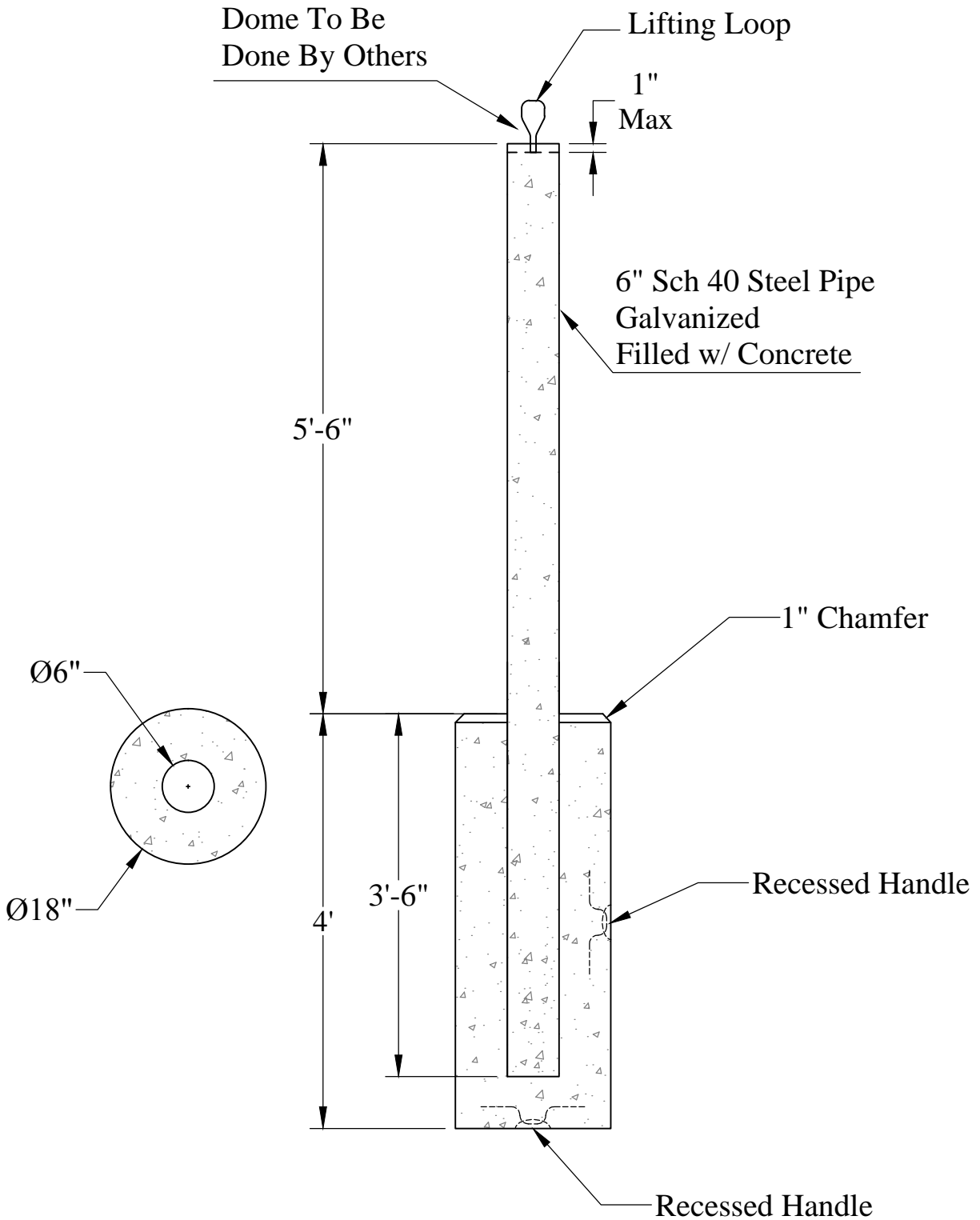
1-800-639-2199

Fax (603) 224-2927

Bollards(6In_Bollard_Galv_w_Base National Grid Opt 1 Sales_Rev2

Phoenix Precast Products

Phoenix Precast Products



General Notes

- 1.) Concrete: $f_c = 4,000$ PSI @ 28 Days Minimum
- 2.) Weight: 1,300 Lbs

Phoenix
Precast
Products

National Grid
6" Diameter Bollard With
Base and Galvanized Pipe
Option #1

P/N: NG-6BGALV